

AMWATCH - Integrated Security & Management Network

... all the systems you need for a comprehensive solution



Access Control System



Elevator Control System



Parking & Revenue Control System



Photo-ID badging System



RF Gate Entry Control System



Guardhouse Visitor Screening System



Lobby Visitor Screening System



Asset Tracking System



Asset Monitoring System



CCTV Surveillance Integration

A S S E T TRACKING S Y S T E M



- Tracks & monitors movement of Men, Machines or Materials, 24X7.
- Checks to make sure right person is carrying right asset.
- Combination of RF-ID technology + Software modules can solve a variety of tracking needs for buses, utility fleets and transportation vehicles.
- A Key module in the AMWATCH Integrated Security & Management (ISM) Network.

AMTEL

ASSET TRACKING SYSTEM

The most cost effective way to track tagged assets



Benefits

The key benefits of an Asset Tracking System is to track and monitor the movement of tagged assets and to ensure that only authorized personnel have access to them.

Assets take Many Forms

- On premise assets like computers, machines, cargo & equipment.
- Rolling Assets like trailers, trucks, vehicles and construction equipment.
- People assets like babies, elderly, upper echelon staff & employees.
- Material assets like supplies, tools, cargo and documents.

Primary System Components

- RF-ID controller, Proximity Reader, PC Station & PC software.
- RF-ID controller includes RF-ID Reader, Directional Antenna, Control Panel, Power Supply w/Battery charger, Ultrasonic Sensor, Field Calibration LEDs & multi-mount, Indoor/Outdoor housing.
- Accessories like CCTV cameras, displays etc can also be integrated depending on application.

System Operation

Assets to be tracked are equipped with an RF-ID tag. Readers track assets movements from distances up to 200ft. System tracks the last known location of the asset as well as history of its movements.

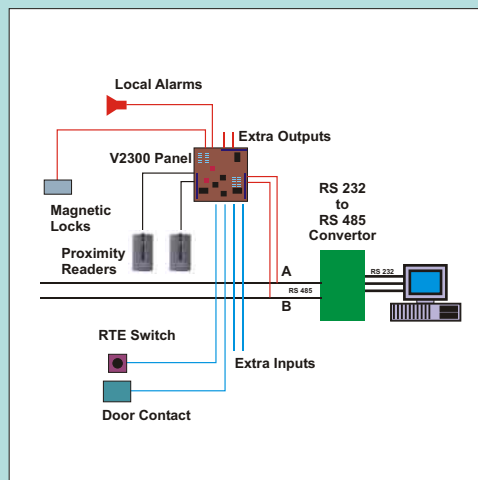


Power of Rf-Id Technology

- Read Range of up to 200', (software programmable).
- Directional antenna can narrow field of sensitivity.
- Can operate in conjunction with standard Proximity cards to offer a dual technology solution.

Three types of Tracking Systems

1. Track tagged asset only. (one parameter check)
2. Track Asset + person carrying asset. (Dual parameter check)
3. Track up to 8 categories of assets. (e.g. Multi part Trailer Truck)





- In the dual technology systems, the RF-ID tag is read automatically, while the person uses his card in the proximity reader.

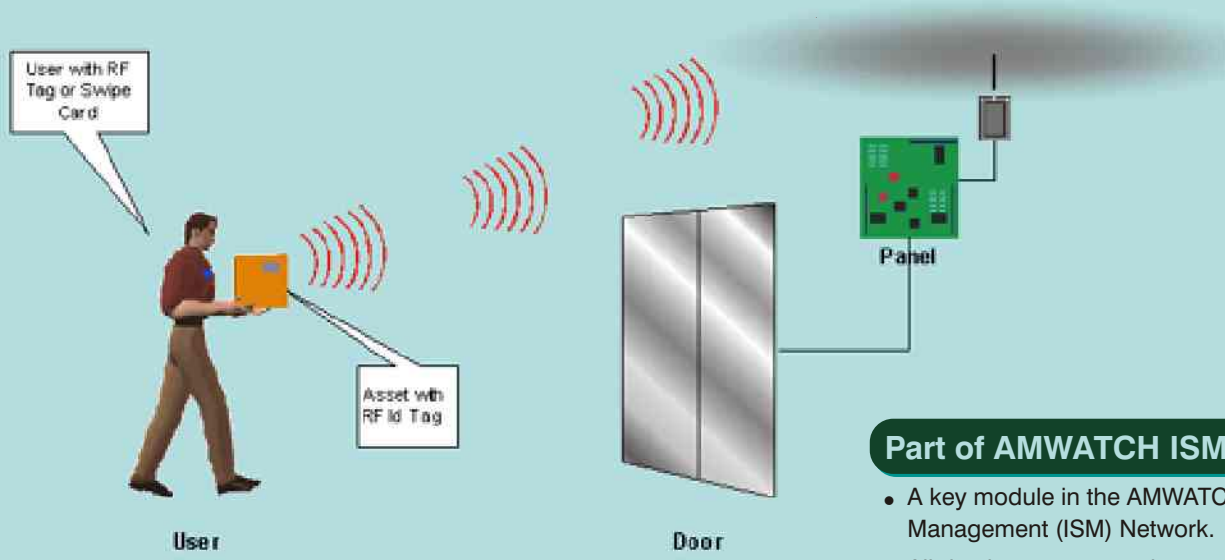
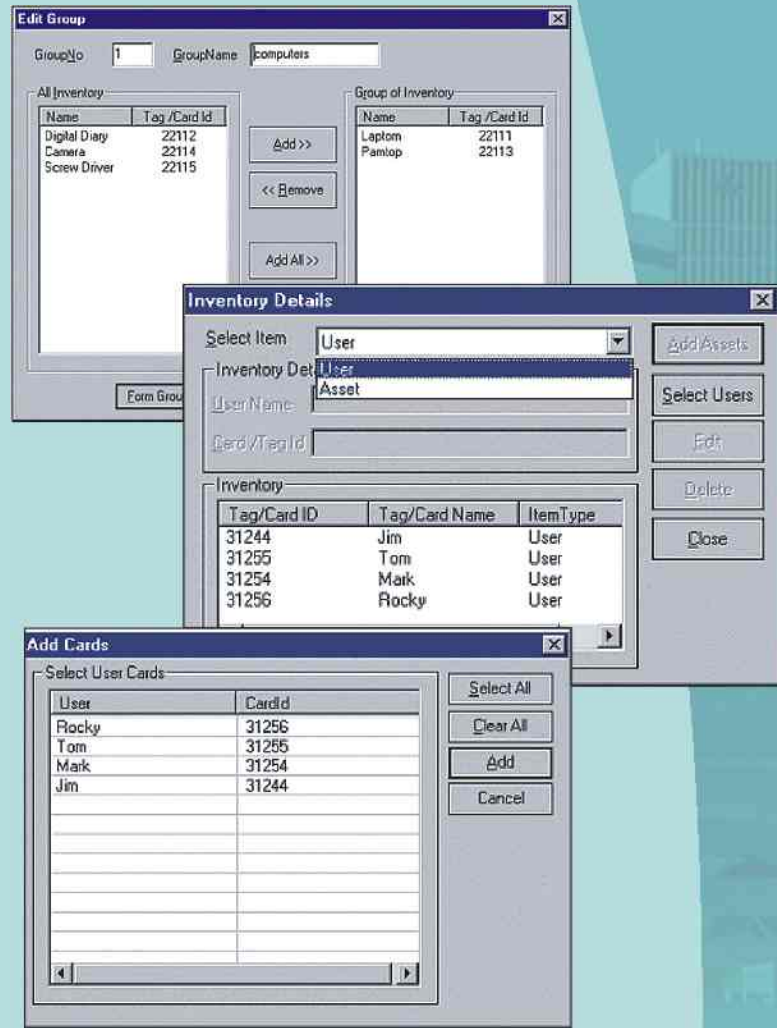
- System checks for both to be valid as a combination.
- Optional CCTV camera can record transaction and store video data.

Software is Seamless & Flexible

- "User-friendly" software is dynamic, expandable, configurable & able to be employed in a network'.
- Allows for single or dual parameter confirmations.
- "User understandable HELP instructions available for setup and operation.
- Standard as well as custom reports that can be prepared, printed, viewed, e-mailed or stored in history files.
- May be employed with all software modules available in the Integrated Security & Management Network Family.

Video Deployment

- System capable of optional recording and storing multiple snapshots from optional CCTV cameras in conjunction with transaction details.
- System can operate with various existing Video Multiplexers for larger CCTV systems.



Part of AMWATCH ISM Network

- A key module in the AMWATCH Integrated Security & Management (ISM) Network.
- All databases, transactions, activity logs and reports can be shared within this platform.



Applications for Asset Tracking are **everywhere** you look

Interior Applications



- 1 Assisted Living Facilities.
- 2 Laptop Computers.
- 3 Sensitive Instruments.
- 4 Hospitals.
- 5 Lobbies/Vestibules.

Vehicular Applications



- 1 Truck Terminals.
- 2 Trailers/Rigs.
- 3 Construction Sites.
- 4 Airports.
- 5 Seaports.
- 6 Containers.

Campus Vehicle Locator



- 1 RF-ID readers at traffic intersections or bus stops.
- 2 Target vehicles equipped with RF-ID tags.
- 3 System tracks movement and location at last read point.
- 4 Low cost campus vehicle locator system.

AMTEL

One Amtel Plaza,

1691 NW 107 Ave, Miami, FL 33172,

Phone: 305-591-8200, Fax: 305-470-2683

www.amtel-security.com, sales@amtel-security.com

PRSR STD
US Postage
Paid
Miami, FL
Permit # 6135